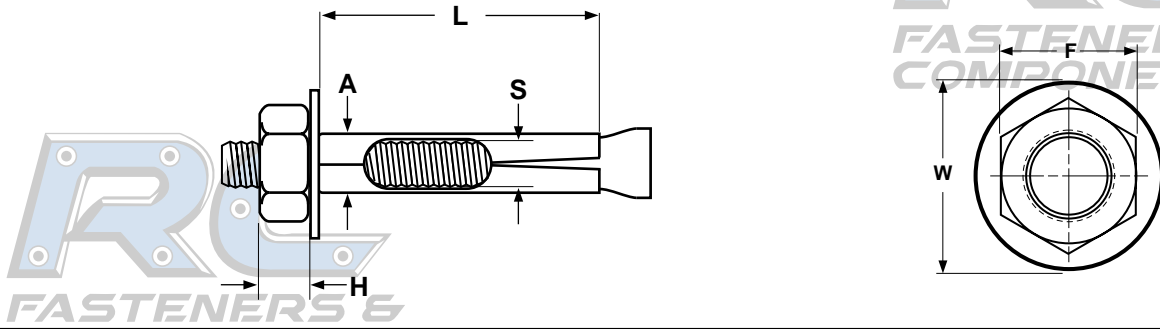


# Hex Nut & Washer style

# Sleeve Anchor

# Anchors



## SLEEVE ANCHORS, HEX HEAD

FF-S-325, Group II, Type 3, Class 3

A x L Anchor Diam x Length	H Nut Height Ref	F Head Width Ref	W Washer O.D. Ref	Drill Diameter	Fixture Clearance Hole	Minimum Embedment	S Thread Size of Stud	Required Torque to Set (Ft. Lbs.)		Tensile Strength (psi.)	Shear Strength (psi.)
								Carbon Steel	Stainless Steel		
5/16 x 1 1/2	7/32	7/16	5/8	5/16	3/8	1 3/8	1/4-20	8	-	-	-
5/16 x 2 1/2						1 1/2				1750	2015
3/8 x 1 7/8	17/64	1/2	13/16	3/8	7/16	1 5/8	5/16-18	16	11	2700	3250
3/8 x 3											
3/8 x 4											
1/2 x 2 1/4	21/64	9/16	1	1/2	9/16	2 1/8	3/8-16	28	20	-	-
1/2 x 3						2 1/4				5015	6372
1/2 x 4											
1/2 x 6											
5/8 x 2 1/4	7/16	3/4	1 3/8	5/8	11/16	2 1/8	1/2-13	60	42	-	-
5/8 x 3						2 3/4				6345	10,255
5/8 x 4 1/4											
5/8 x 6											
3/4 x 2 1/2	35/64	15/16	1 3/4	3/4	15/16	2 1/8	5/8-11	90	60	-	-
3/4 x 4						3 3/8				9135	12,800
3/4 x 5 3/4											

<b>Description</b>	A device for giving stability to one part of a structure by making it fast to another consisting of (A) a threaded stud with a conical end flared outward; (B) a hollow, cylindrical dilating sleeve assembled over the stud and positioned against the minor diameter of the cone; (C) a washer and hex nut assembled at the end opposite the cone.	
<b>Applications/ Advantages</b>	The anchor works by expanding against the material in which it is embedded. When the hex nut is tightened the conical end is pulled into the dilating sleeve pushing it outward 360° around the anchor into the masonry. They are designed to be used in solid or hollow masonry, including cinder block, brick, marble and concrete. One advantage of the sleeve anchor is that it can be removed after it's been installed. Another is that the length of the sleeve induces less stress on the substrate than does a wedge anchor. It is well-suited for permanently anchoring heavy equipment to concrete.	
<b>Material</b>	<b>Steel</b>	<b>Stainless</b>
	<b>Threaded Bolt:</b> AISI 1010 - 1018 cold rolled steel <b>Sleeve:</b> AISI 1008 cold rolled steel <b>Nut:</b> Shall be made from a low carbon steel which conforms to the following chemical composition requirements: <i>Carbon</i> - 0.58% maximum; <i>Phosphorus</i> - 0.13% maximum; <i>Sulfur</i> - 0.23% maximum <b>Washer:</b> AISI 1008 - 1010 cold rolled steel	<b>Threaded Bolt:</b> 18-8 stainless steel <b>Sleeve:</b> Type 304 stainless steel <b>Nut:</b> Type 304 stainless steel <b>Washer:</b> 18-8 stainless steel
<b>Anchor Spacing</b>	Anchors should be installed with a minimum of 10 anchor diameters between each other and a minimum of 5 diameters from the edge.	
<b>Tensile Strength</b>	The suggested safe working load is one-fourth of the average proof test load shown in the above table.	
<b>Shear Strength</b>	The suggested safe working load is one-fourth of the average proof test load shown in the above table.	
<b>Plating</b>	Steel sleeve anchors are usually supplied plated zinc.	Stainless sleeve anchors usually have no additional finish applied.