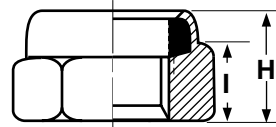
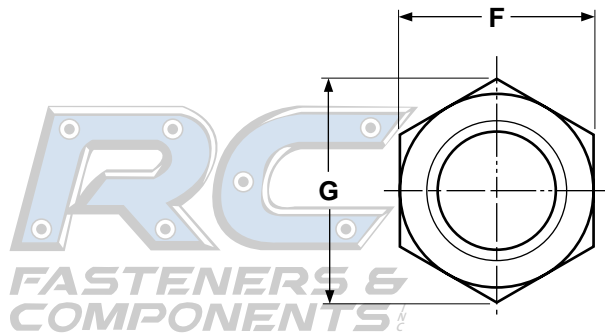


Heavy Hex,
Thin Height

Nylon Insert (Elastic) Stop Nuts

Nuts



NYLON INSERT STOP NUTS, HEAVY HEX, THIN PATTERN

Esna®

| Nominal Size or Basic Thread Diameter | | Esna® Part Numbers | F | | H | | I | G |
|---------------------------------------|--------|--------------------|--------------------|-------|-----------|-------|-------------|----------------------|
| | | | Width Across Flats | | Thickness | | Side Height | Width Across Corners |
| | | Steel, Zinc-plate | Max | Min | Max | Min | Ref | Ref |
| 1/4 | 0.2500 | 21NTU-040 | 0.502 | 0.492 | 0.296 | 0.266 | 0.194 | 0.552 |
| 5/16 | 0.3125 | 21NTU-058 | 0.564 | 0.553 | 0.328 | 0.298 | 0.212 | 0.622 |
| 3/8 | 0.3750 | 21NTU-066 | 0.690 | 0.679 | 0.421 | 0.391 | 0.251 | 0.766 |
| 7/16 | 0.4375 | 21NTU-074 | 0.752 | 0.741 | 0.453 | 0.423 | 0.316 | 0.837 |
| 1/2 | 0.5000 | 21NTU-083 | 0.877 | 0.865 | 0.546 | 0.516 | 0.360 | 0.978 |
| 5/8 | 0.6250 | 21NTU-101 | 1.064 | 1.052 | 0.624 | 0.594 | 0.428 | 1.191 |
| 3/4 | 0.7500 | 41NTU-120 | 1.252 | 1.239 | 0.718 | 0.688 | 0.488 | 1.403 |
| 7/8 | 0.8750 | 41NTU-149 | 1.440 | 1.427 | 0.796 | 0.766 | 0.535 | 1.615 |
| 1 | 1.0000 | 41NTU-168 | 1.627 | 1.614 | 0.922 | 0.860 | 0.600 | 1.826 |

| | |
|---------------------------------|---|
| Description | Identical to the NU-series heavy hex nylon insert stop nut but approximately 35% less thick from top to bottom. |
| Applications/ Advantages | Thin pattern heavy hex nuts are used when an insufficient number of projecting threads are present to use a full heavy hex nylon insert stop nut. |
| Material | 1/4" through 5/8" -- AISI 1008 - 1010 or equivalent steel; 3/4 through 1" -- AISI C1117 or equivalent steel. |
| Hardness | Rockwell C 28 maximum |
| Plating | See Appendix-A for information about the plating of steel nylon-insert stop nuts. |

©Esna is a registered trademark of the MacLean-Fogg Company. Kanebridge's stop nuts are not manufactured by or connected with the producers of Esna® nuts.