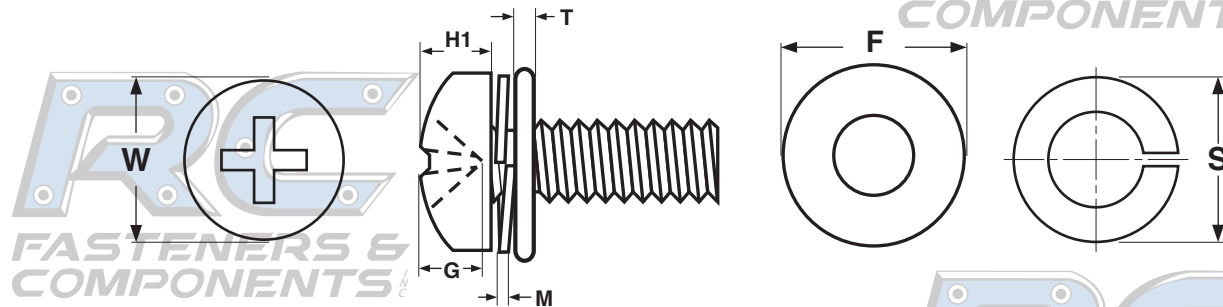


Double Washer
Pan Phillips

SEMS Screws



PAN PHILLIPS DOUBLE WASHER SEMS (SPLIT-LOCK & REGULAR FLAT WASHERS)

Nominal Size	W		H1		G		F		T		R		M	Phillips Driver Size
	Head Diameter		Height of Head		Recess Depth		Flat Washer Diameter		Flat Washer Thickness		Split Lock Washer Diameter		Split Lock Washer Material Thickness	
	Max	Min	Max	Min	Max	Min	Max	Min	Max	Min	Max	Min	Ref	
4	.219	.204	.080	.070	.071	.053	.382	.369	.045	.036	.208	.194	.031	1
6	.270	.255	.097	.086	.080	.055	.445	.432	.045	.036	.261	.247	.034	2
8	.321	.305	.115	.104	.097	.071	.507	.494	.045	.036	.319	.304	.031	2
10	.373	.356	.133	.121	.113	.089	.569	.556	.045	.036	.373	.358	.047	2

PAN PHILLIPS DOUBLE WASHER SEMS (SPLIT-LOCK & NARROW FLAT WASHERS)

Nominal Size	W		H1		G		F		T		R		M	Phillips Driver Size
	Head Diameter		Height of Head		Recess Depth		Flat Washer Diameter		Flat Washer Thickness		Split Lock Washer Diameter		Split Lock Washer Material Thickness	
	Max	Min	Max	Min	Max	Min	Max	Min	Max	Min	Max	Min	Ref	
4	.219	.204	.080	.070	.071	.053	.250	.244	.036	.028	.208	.194	.031	1
6	.270	.255	.097	.086	.080	.055	.312	.306	.037	.028	.261	.247	.034	2
8	.321	.305	.115	.104	.097	.071	.382	.369	.036	.028	.319	.304	.031	2
10	.373	.356	.133	.121	.113	.089	.445	.432	.045	.036	.373	.358	.047	2

Description	A pan head machine screw with a free-spinning lock-washer and flat washer manufactured as one assembly.	
Applications/Advantages	The washer/screw assembly makes this a locking screw with the helical washer providing the locking action and flat washer distributing the load over a wider area.	
Material	Steel	Stainless
	<i>Steel Screws</i> -- AISI 1006 - 1022 or equivalent steel. <i>Steel Washers</i> -- Split-lock: SAE 1060 carbon steel; Flat washer: SAE 1008 carbon steel.	<i>Stainless Screws</i> -- Class 304 stainless. <i>Stainless Washers</i> -- Class 304 stainless
Hardness	<i>Steel Screws</i> -- Rockwell B70 - B100 (Unhardened). <i>Steel Washers</i> -- Split-lock: Rockwell C38 - 46; Flat washer: Unhardened	-
Tensile Strength	<i>Steel</i> : 60,000 psi. minimum. No. 4 SEMS screws shorter than 1/2" are not subject to tensile testing. SEMS screws of diameters No. 6, to 10 inclusive, which are shorter than 1/2" or 3D (where D is the nominal screw size in inches) are not subject to tensile testing.	-
Plating	See Appendix-A for information on the plating of steel SEMS.	Stainless sems are usually supplied with plain finish