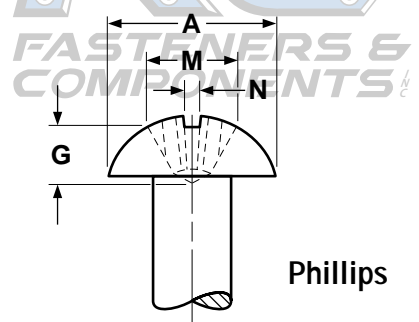
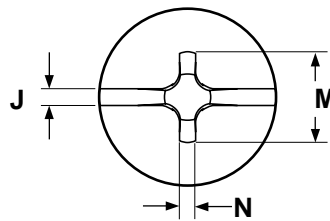
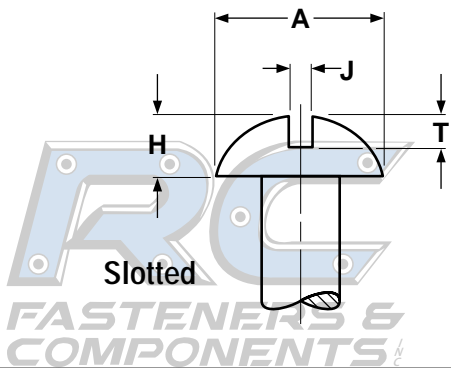


Combo Round  
Combo Truss

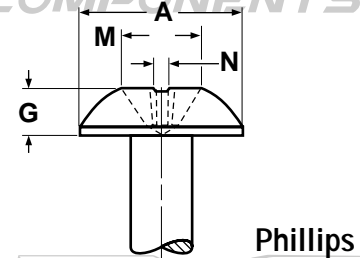
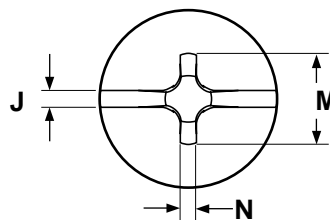
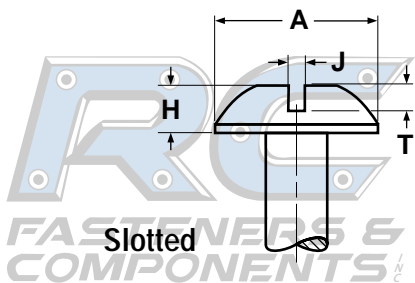
Head Dimensions

Machine Screws



COMBINATION DRIVE ROUND HEADS FOR MACHINE SCREWS

Nominal Screw Size	A		H		J		T		M		G		N	Recess Penetration Gaging Depth		Driver Size		
	Head Dimensions		Head Height		Slot Dimensions		Depth		Recess Dimensions		Depth		Recess Width	Max			Min	
	Head Diameter		Head Height		Width		Depth		Diameter		Depth		Recess Width	Max			Min	
	Max	Min	Max	Min	Max	Min	Max	Min	Max	Min	Max	Min	Min	Max	Min		Max	Min
4	.211	.193	.086	.075	.039	.031	.058	.044	.118	.105	.072	.053	.019	.065	.046	1		
6	.260	.240	.103	.091	.048	.039	.068	.051	.162	.149	.084	.056	.027	.073	.045	2		
8	.309	.287	.120	.107	.054	.045	.077	.058	.178	.165	.101	.075	.030	.090	.064	2		
10	.359	.334	.137	.123	.060	.050	.087	.065	.195	.182	.119	.093	.031	.108	.082	2		
12	.408	.382	.153	.139	.067	.056	.096	.073	.249	.236	.125	.099	.032	.108	.082	3		
1/4	.472	.443	.175	.160	.075	.064	.109	.082	.268	.255	.147	.121	.034	.130	.104	3		
5/16	.590	.557	.216	.198	.084	.072	.132	.099	.308	.295	.187	.161	.040	.170	.144	3		
3/8	.708	.670	.256	.237	.094	.081	.155	.117	.387	.374	.228	.202	.064	.208	.182	4		



COMBINATION DRIVE TRUSS HEADS FOR MACHINE SCREWS

Nominal Size	A		H		J		T		M		G		N	Recess Penetration Gaging Depth		Phillips Driver Size		
	Head Diameter		Height of Head		Width of Slot		Depth of Slot		Dimensions of Recess		Depth		Width	Max			Min	
	Head Diameter		Height of Head		Width of Slot		Depth of Slot		Diameter		Depth		Width	Max			Min	
	Max	Min	Max	Min	Max	Min	Max	Min	Max	Min	Max	Min	Min	Max	Min		Max	Min
4	.257	.241	.069	.059	.039	.031	.040	.030	.112	.099	.069	.051	.018	.062	.044	1		
6	.321	.303	.086	.074	.048	.039	.050	.037	.158	.145	.084	.059	.027	.073	.048	2		
8	.384	.364	.102	.088	.054	.045	.058	.045	.173	.160	.099	.074	.029	.088	.063	2		
10	.448	.425	.118	.103	.060	.050	.068	.053	.188	.175	.115	.090	.030	.104	.079	2		
12	.511	.487	.134	.118	.067	.056	.077	.061	.248	.235	.128	.103	.032	.111	.086	3		
1/4	.573	.546	.150	.133	.075	.064	.087	.070	.263	.250	.143	.118	.033	.126	.101	3		