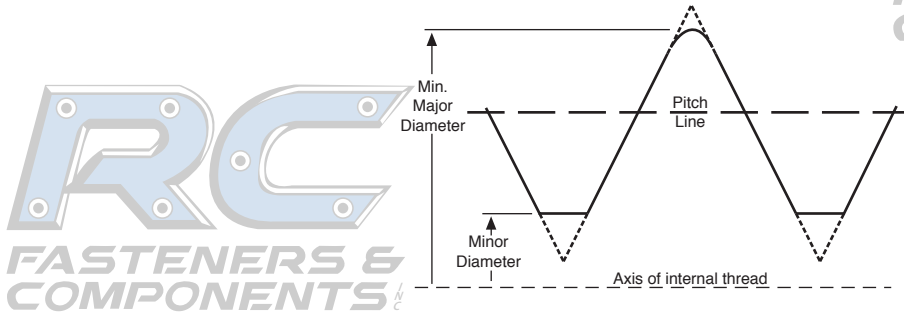


**Class 2B** **INTERNAL THREADS**



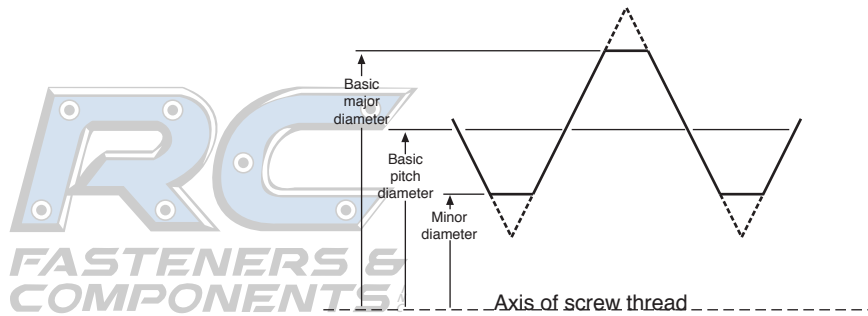
**INTERNAL THREADS - CLASS 2B**

ASME B1.1--2008

Nominal Size & Threads per Inch	Series Designation	Minor Diameter		Pitch Diameter			Major Diameter
		Min	Max	Min	Max	Tolerance	Min
0-80	UNF	0.0465	0.0514	0.0519	0.0542	0.0023	0.0600
1-64	UNC	0.0561	0.0623	0.0629	0.0655	0.0026	0.0730
1-72	UNF	0.0580	0.0635	0.0640	0.0665	0.0025	0.0730
2-56	UNC	0.0667	0.0737	0.0744	0.0772	0.0028	0.0860
2-64	UNF	0.0691	0.0752	0.0759	0.0786	0.0027	0.0860
3-48	UNC	0.0764	0.0845	0.0855	0.0885	0.0030	0.0990
3-56	UNF	0.0797	0.0865	0.0874	0.0902	0.0028	0.0990
4-40	UNC	0.0849	0.0939	0.0958	0.0991	0.0033	0.1120
4-48	UNF	0.0894	0.0968	0.0985	0.1016	0.0031	0.1120
5-40	UNC	0.0979	0.1062	0.1088	0.1121	0.0033	0.1250
6-32	UNC	0.104	0.114	0.1177	0.1214	0.0037	0.1380
6-40	UNF	0.1110	0.1190	0.1218	0.1252	0.0034	0.1380
8-32	UNC	0.130	0.139	0.1437	0.1475	0.0038	0.1640
8-36	UNF	0.1340	0.1420	0.1460	0.1496	0.0036	0.1640
10-24	UNC	0.145	0.156	0.1629	0.1672	0.0043	0.1900
10-32	UNF	0.156	0.164	0.1697	0.1736	0.0039	0.1900
12-24	UNC	0.171	0.181	0.1889	0.1933	0.0044	0.2160
1/4-20	UNC	0.196	0.207	0.2175	0.2224	0.0049	0.2500
1/4-28	UNF	0.211	0.220	0.2268	0.2311	0.0043	0.2500
5/16-18	UNC	0.252	0.265	0.2764	0.2817	0.0053	0.3125
5/16-24	UNF	0.267	0.277	0.2854	0.2902	0.0048	0.3125
3/8-16	UNC	0.307	0.321	0.3344	0.3401	0.0057	0.3750
3/8-24	UNF	0.330	0.340	0.3479	0.3528	0.0049	0.3750
7/16-14	UNC	0.360	0.376	0.3911	0.3972	0.0061	0.4375
7/16-20	UNF	0.383	0.395	0.4050	0.4104	0.0054	0.4375
1/2-13	UNC	0.417	0.434	0.4500	0.4565	0.0065	0.5000
1/2-20	UNF	0.446	0.457	0.4675	0.4731	0.0056	0.5000
9/16-12	UNC	0.472	0.490	0.5084	0.5152	0.0068	0.5625
9/16-18	UNF	0.502	0.515	0.5264	0.5323	0.0059	0.5625
5/8-11	UNC	0.527	0.546	0.5660	0.5732	0.0072	0.6250
5/8-18	UNF	0.565	0.578	0.5889	0.5949	0.0060	0.6250
3/4-10	UNC	0.642	0.663	0.6850	0.6927	0.0077	0.7500
3/4-16	UNF	0.682	0.696	0.7094	0.7159	0.0065	0.7500
7/8-9	UNC	0.755	0.778	0.8028	0.8110	0.0082	0.8750
7/8-14	UNF	0.798	0.814	0.8286	0.8356	0.0070	0.8750

# INTERNAL THREADS

Class 2B



INTERNAL THREADS - CLASS 2B (CONTINUED)

ASME B1.1--  
2008

Nominal Size & Threads per Inch	Series Designation	Allowance	Minor Diameter		Pitch Diameter			Major Diameter
			Min	Max	Min	Max	Tolerance	Min
1-8	UNC	0.0020	0.865	0.890	0.9188	0.9276	0.0088	1.0000
1-14	UNS	0.0017	0.923	0.938	0.9536	0.9609	0.0073	1.0000
1 1/8-7	UNC	0.0022	0.970	0.998	1.0322	1.0416	0.0094	1.1250
1 1/8-12	UNF	0.0018	1.035	1.053	1.0709	1.0787	0.0078	1.1250
1 1/4-7	UNC	0.0022	1.095	1.123	1.1572	1.1668	0.0096	1.2500
1 1/4-12	UNF	0.0018	1.160	1.178	1.1959	1.2039	0.0080	1.2500
1 3/8-6	UNC	0.0024	1.195	1.225	1.2667	1.2771	0.0104	1.3750
1 3/8-12	UNF	0.0019	1.285	1.303	1.3209	1.3291	0.0082	1.3750
1 1/2-6	UNC	0.0024	1.320	1.350	1.3917	1.4022	0.0105	1.5000
1 1/2-12	UNF	0.0019	1.410	1.428	1.4459	1.4542	0.0083	1.5000
1 5/8-6	UN	0.0025	1.445	1.475	1.5167	1.5274	0.0107	1.6250
1 5/8-8	UN	0.0022	1.490	1.515	1.5438	1.5535	0.0097	1.6250
1 3/4-5	UNC	0.0027	1.534	1.568	1.6201	1.6317	0.0116	1.7500
1 3/4-12	UN	0.0018	1.660	1.678	1.6959	1.7037	0.0078	1.7500
2-4.5	UNC	0.0029	1.759	1.795	1.8557	1.8681	0.0124	2.0000
2-12	UN	0.0018	1.910	1.928	1.9459	1.9538	0.0079	2.0000
2 1/4-4.5	UNC	0.0029	2.009	2.045	2.1057	2.1183	0.0126	2.2500
2 1/4-12	UN	0.0018	2.160	2.178	2.1959	2.2038	0.0079	2.2500
2 1/2-4	UNC	0.0031	2.229	2.267	2.3376	2.3511	0.0135	2.5000
2 1/2-12	UN	0.0019	2.410	2.428	2.4459	2.4540	0.0081	2.5000
2 3/4-4	UNC	0.0032	2.479	2.517	2.5876	2.6013	0.0137	2.7500
2 3/4-12	UN	0.0019	2.660	2.678	2.6959	2.7040	0.0081	2.7500
3-4	UNC	0.0032	2.729	2.767	2.8376	2.8515	0.0139	3.0000
3-12	UN	0.0019	2.910	2.928	2.9459	2.9541	0.0082	3.0000
3 1/4-4	UNC	0.0033	2.979	3.017	3.0876	3.1017	0.0141	3.2500
3 1/2-4	UNC	0.0033	3.229	3.267	3.3376	3.3519	0.0143	3.5000
3 3/4-4	UNC	0.0034	3.479	3.517	3.5876	3.6021	0.0145	3.7500
4-4	UNC	0.0034	3.729	3.767	3.8376	3.8523	0.0147	4.0000