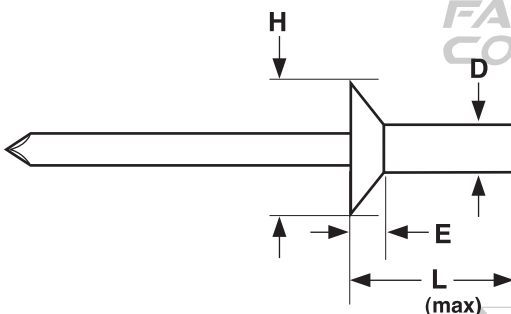
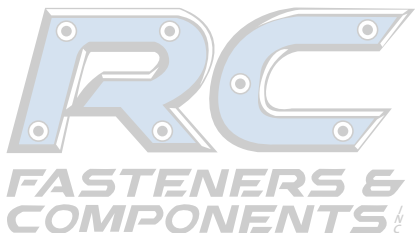


Closed-End Aluminum Rivet/Steel Mandrel



FASTENERS & COMPONENTS

CLOSED-END, COUNTERSUNK, ALUMINUM BODY/STEEL MANDREL BLIND RIVETS

IFI-126

Part Number	D	Hole Size	Drill Number	Grip Range	L	H	E	Ultimate Shear Load	Ultimate Tensile Load
	Rivet Body Diameter				Length	Head Diameter	Head Height		
ACSC42	.125	.129 - .133	#30	.063 - .125	.395	.245	.042	240	280
ACSC43	.125	.129 - .133	#30	.126 - .187	.457	.245	.042	240	280
ACSC44	.125	.129 - .133	#30	.188 - .250	.520	.245	.042	240	280
ACSC64	.187	.192 - .196	#11	.188 - .250	.601	.394	.060	500	690



Description	An aluminum blind fastener with a self-contained steel mandrel whose mandrel head is completely protected and secured within the closed end of the rivet. The head of the rivet body is countersunk at an angle of 120°.
Applications/Advantages	Closed-end rivets are used where the adjoining back-plate cannot be accessed but must be kept weatherproof. The installed rivet forms a tight seal preventing seepage of liquid or gas through the fastener assembly. The countersunk head style provides a smooth offside surface and sufficient clearance for moving parts which pass over the rivet head. They are preferred in many electronics applications because there is no chance of the mandrel falling into the work area on the blind side. Closed-end rivets provide greater tensile and shear strength than similar-sized open end rivets. They should be used when fastening materials with mechanical and physical properties similar to aluminum.
Material	<i>Rivet Body:</i> Aluminum alloy 5052 or equivalent <i>Mandrel:</i> Carbon steel
Shear Strength	Rivets shall have ultimate shear loads not less than the minimum ultimate shear loads specified in the above table.
Tensile Strength	Rivets shall have ultimate tensile loads not less than the minimum ultimate tensile loads specified in the above table.

PART NUMBER COMPARISON - CLOSED-END ALUMINUM RIVET/STEEL MANDREL COUNTERSUNK

Catalog Part Number	Huck/Auto-matic	Pop®	Marson/Creative	Star	Celus®	Cherry	Gesipa®
ACSC42	-	AK42H	-	-	-	-	-
ACSC43	-	AK43H	-	-	-	-	-
ACSC44	-	AK44H	-	-	-	-	-
ACSC64	-	AK64H	-	-	-	-	-

Celus® is a registered trademark of Celus Fasteners Manufacturing Inc.
Gesipa® is a registered trademark of Gesipa Fasteners USA, Inc.