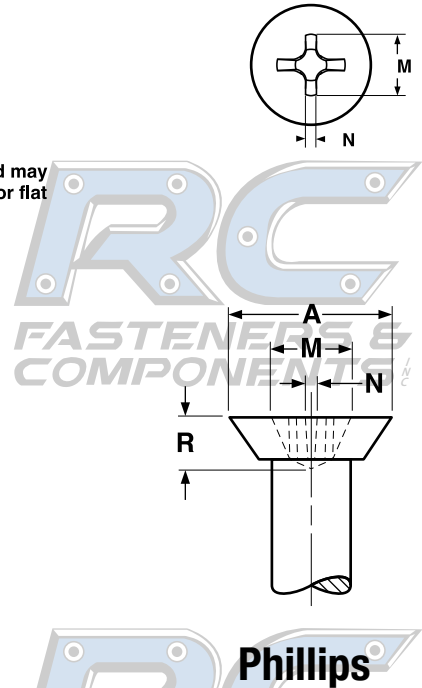
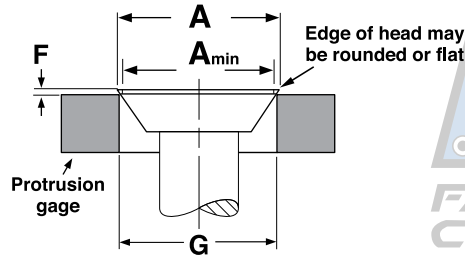
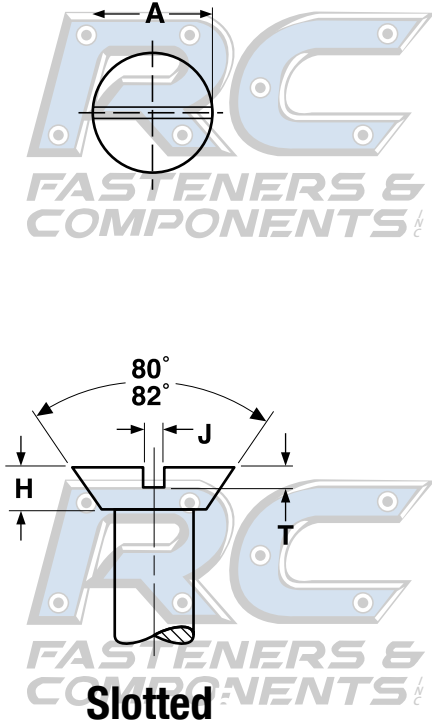


Self-Tapping Screws

Head Dimensions

Flat Undercut

FASTENERS & COMPONENTS



UNDERCUT FLAT HEADS FOR SELF-TAPPING SCREWS

ASME B18.6.4-1998

| Nominal Size | These Lengths or Shorter are Undercut | | A | | H | | J | | T | | M | R | N | F | | G | Phillips Driver Size |
|--------------|---------------------------------------|-------------|-----------------|------|-------|------|-----------------|------|-------|-------|-------------------|------|------|----------------------------------|------|-----------------|----------------------|
| | | | Head Dimensions | | | | Slot Dimensions | | | | Recess Dimensions | | | Protrusion Above Gaging Diameter | | Gaging Diameter | |
| | Diameter | | Height | | Width | | Depth | | Diam. | Depth | Width | Max | Min | | | | |
| | Types A & AB | Other Types | Max | Min | Max | Min | Max | Min | Max | Min | Ref | Ref | Ref | Max | Min | | |
| 0 | 3/16 | 1/8 | .112 | .096 | .025 | .018 | .023 | .016 | .011 | .007 | .062 | .035 | .014 | - | - | - | 0 |
| 1 | 3/16 | 5/32 | .137 | .120 | .031 | .023 | .026 | .019 | .014 | .009 | .070 | .043 | .015 | - | - | - | 0 |
| 2 | 3/16 | 3/16 | .162 | .144 | .036 | .028 | .031 | .023 | .016 | .011 | .088 | .048 | .017 | .029 | .017 | .124 | 1 |
| 3 | 7/32 | 7/32 | .187 | .167 | .042 | .033 | .035 | .027 | .019 | .012 | .096 | .055 | .018 | .031 | .018 | .148 | 1 |
| 4 | 1/4 | 1/4 | .212 | .191 | .047 | .038 | .039 | .031 | .022 | .014 | .110 | .070 | .018 | .032 | .019 | .172 | 1 |
| 5 | 1/4 | 1/4 | .237 | .215 | .053 | .043 | .043 | .035 | .024 | .016 | .122 | .081 | .018 | .034 | .020 | .196 | 1 |
| 6 | 5/16 | 5/16 | .262 | .238 | .059 | .048 | .048 | .039 | .027 | .017 | .140 | .066 | .025 | .036 | .021 | .220 | 2 |
| 7 | 3/8 | 3/8 | .287 | .262 | .064 | .053 | .048 | .039 | .030 | .019 | .148 | .074 | .027 | .037 | .022 | .243 | 2 |
| 8 | 7/16 | 7/16 | .312 | .285 | .070 | .058 | .054 | .045 | .032 | .021 | .168 | .094 | .029 | .039 | .023 | .267 | 2 |
| 10 | 1/2 | 1/2 | .362 | .333 | .081 | .068 | .060 | .050 | .037 | .024 | .182 | .110 | .030 | .042 | .025 | .313 | 2 |
| 12 | 9/16 | 9/16 | .412 | .380 | .092 | .078 | .067 | .056 | .043 | .028 | .226 | .110 | .030 | .045 | .027 | .362 | 3 |
| 1/4 | 5/8 | 5/8 | .477 | .442 | .107 | .092 | .075 | .064 | .050 | .032 | .244 | .124 | .032 | .050 | .029 | .424 | 3 |
| 5/16 | 13/16 | 5/8 | .597 | .556 | .134 | .116 | .084 | .072 | .062 | .041 | .310 | .157 | .053 | .057 | .034 | .539 | 4 |
| 3/8 | - | 5/8 | .717 | .670 | .161 | .140 | .094 | .081 | .075 | .049 | .358 | .205 | .061 | .065 | .039 | .653 | 4 |