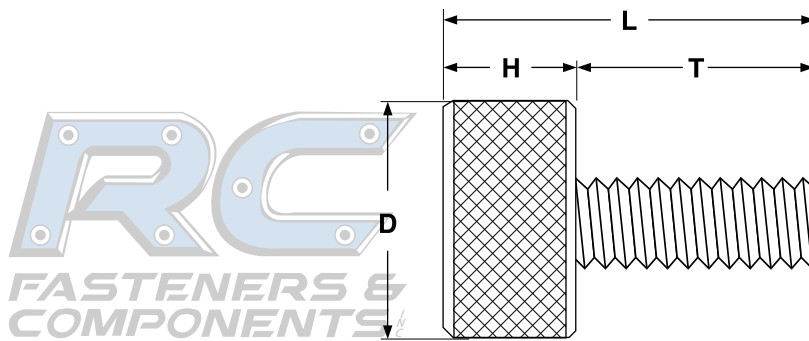


Thumb & Wing Screws

No Shoulder



FASTENERS & COMPONENTS

KNURLED THUMB SCREWS

Thread Size x Thread Length	D		H		L		T	
	Head Diameter		Head Height		Overall Length		Thread Length	
	Max	Min	Max	Min	Max	Min	Max	Min
4-40 x 5/16	.332	.312	.203	.173	.515	.485	.322	.302
4-40 x 3/8	.332	.312	.203	.173	.577	.547	.385	.365
4-40 x 7/16	.332	.312	.203	.173	.640	.610	.448	.428
4-40 x 1/2	.332	.312	.203	.173	.703	.673	.510	.490
6-32 x 5/16	.332	.312	.203	.173	.515	.485	.322	.302
6-32 x 3/8	.332	.312	.203	.173	.577	.547	.385	.365
6-32 x 7/16	.332	.312	.203	.173	.640	.610	.448	.428
6-32 x 1/2	.332	.312	.203	.173	.703	.673	.510	.490
8-32 x 3/8	.395	.375	.203	.173	.577	.547	.385	.365
8-32 x 7/16	.395	.375	.203	.173	.640	.610	.448	.428
8-32 x 1/2	.395	.375	.203	.173	.703	.673	.510	.490
8-32 x 9/16	.395	.375	.203	.173	.765	.735	.572	.552
8-32 x 5/8	.395	.375	.203	.173	.827	.797	.635	.615
10-32 x 3/8	.458	.438	.203	.173	.577	.547	.385	.365
10-32 x 7/16	.458	.438	.203	.173	.640	.610	.448	.428
10-32 x 1/2	.458	.438	.203	.173	.703	.673	.510	.490
10-32 x 9/16	.458	.438	.203	.173	.765	.735	.572	.552
10-32 x 5/8	.458	.438	.203	.173	.827	.797	.635	.615

Description	A one-piece screw with a cylindrically-shaped head and a fully-threaded shank with a unified thread pitch. The head has a smooth, flat top and a roughened surface around its full circumference.	
Applications / Advantages	For use in applications where periodic manual adjustment is required and where finger pressure can supply sufficient tightening torque.	
Material	303 Stainless Steel	Aluminum Alloy 6061 T6
Plating	Parts are typically supplied without any additional coating or finish.	