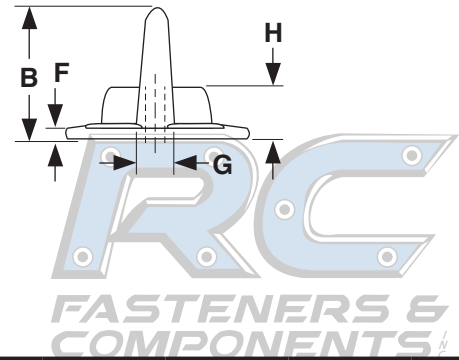
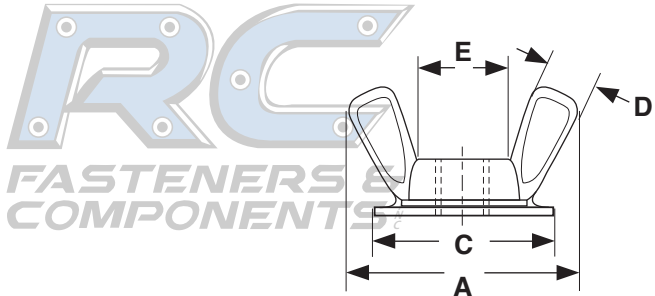


Washer Base
Zinc Alloy

WING NUTS

FASTENERS & COMPONENTS



WASHER-BASED WING NUTS

Kanebridge Part Number	Dynacast Part Number	Thread Size	A	B	C	D	E	F	G	H
			Wing Spread	Total Height	Washer Outside Diameter	Individual Wing Width	Between Wings	Washer Thickness	Wing Thickness at Base	Boss & Washer Height
0810NWA	232416	8-32	7/8	7/16	5/8	.207	.250	.032	.125	.182
1010NWA	232417	10-24	7/8	7/16	5/8	.207	.250	.032	.125	.182
1110NWA	232418	10-32	7/8	7/16	5/8	.207	.250	.032	.125	.182
1412NWA	232521	1/4-20	1	1/2	3/4	.234	.312	.035	.140	.205
1414NWA	232621	1/4-20	1 1/8	37/64	7/8	.260	.375	.040	.150	.225
3112NWA	232523	5/16-18	1	1/2	3/4	.234	.312	.035	.140	.205
3114NWA	232623	5/16-18	1 1/8	37/64	7/8	.260	.375	.040	.150	.225
3714NWA	232625	3/8-16	1 1/8	37/64	7/8	.260	.375	.040	.150	.225

FASTENERS & COMPONENTS

FASTENERS & COMPONENTS

Description	A zinc alloy nut featuring a wide-diameter, integral washer base with a recessed wing design.
Applications/ Advantages	Suitable for most wing nut applications, specifically in those where a separate flat washer would be used. Integral washer design eliminates need for other washers and speeds assembly time. Used with adjustment slots, oversized or offset holes, and soft surfaces such as wood or plastic. Popular in displays, furniture and storm windows.
Material	Nuts are made from the zinc die cast alloy Zamak #3 which conforms to the following chemical composition requirements-- Aluminum: 3.5-4.3%; Magnesium: 0.02-0.05%; Copper: 0.25%* max.; Iron: 0.10% max.; Lead: 0.005% max.; Cadmium: 0.004% max.; Tin: 0.003% max.; Zinc: balance (*Note: Most commercial applications will accept copper content within the range of 0.25-0.75% without rejecting the product).

NOTE: There is no single standard for washer-based wing nut dimensions. These values are offered as a guide; deviations from these specifications may occur.