

DP-6100 Line



DFCI DP-6100 Latches offer quarter turn operation, with locking, under tension, over a wide range of material thicknesses. Most of the **DP-6100 Latches** are fully adjustable and are useful for equipment doors with gaskets or any access location subject to wide thickness or misalignment tolerances.

DP-6100 Line

6170



6170 is a smaller version of the 6175. It consists of a helical spring pawl that varies its grip length with rotation and is capable of latching a wide range of support thicknesses. The sloped pawl design also allows the operator to adjust the applied clamping force.

Material

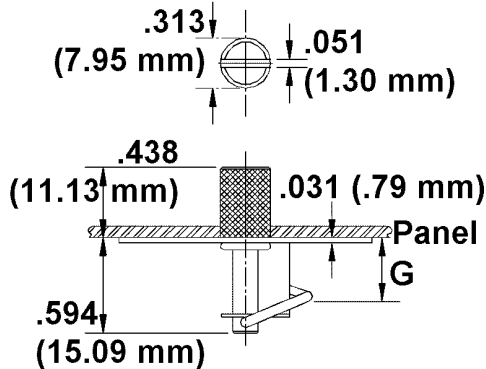
Latch Heads: As listed

Latch Body: Steel, zinc plate, yellow chromate

Spring Pawl: Zinc plated

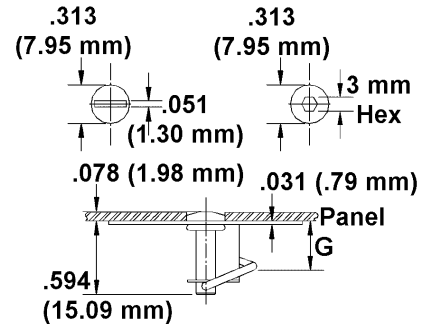
Grip Range (G): .039" to .250" (0.99 to 6.35 mm)

Knurled Head (K)



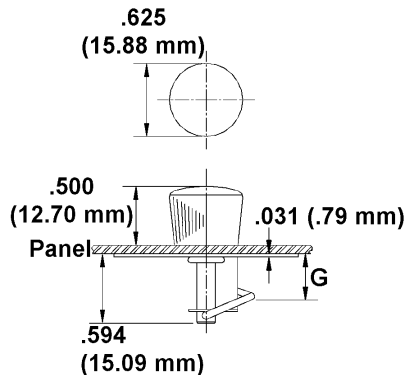
Part Number	Head Finish
6170-KY	Zinc plate with yellow chromate

Pan Head



Part Number	Head	Head Finish (all with chromate surface)
6170-AY	Slot	Zinc plate with yellow chromate
6170-AB	Slot	Zinc plate with Black Chromate
6170-HY	Hex	Zinc plate with yellow chromate

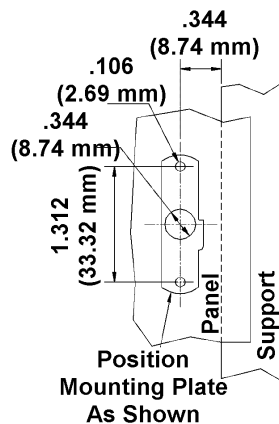
Plastic Knob Head (P)



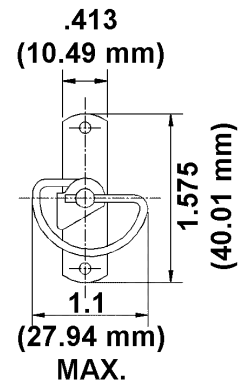
Max. panel with knob: .177" (4.50 mm)
Knob is supplied unattached and is pressed onto head after installing latch.

Part Number	Head Finish
6170-P	Black Thermoplastic

Installation Procedure Max. Load Without Distortion: 9 lb.



Panel Preparation



Under-Panel Dimensions

DP-6100 Line

6175

6175 is a larger version of the 6170. It consists of a helical spring pawl that varies its grip length with rotation and is capable of latching a wide range of support thicknesses. The sloped pawl design also allows the operator to adjust the applied clamping force.

Material

Latch Heads: As listed

Latch Body: Steel, zinc plate, yellow chromate

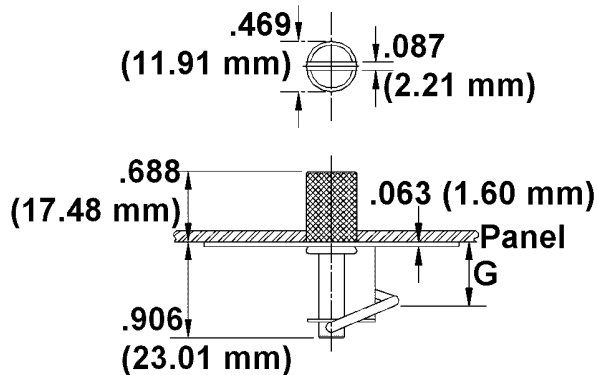
Spring Pawl: Zinc plated

Grip Range (G): .078" to .438" (1.98 to 11.13 mm)

Note: Part Number 6175-KS: All 300 series stainless steel construction

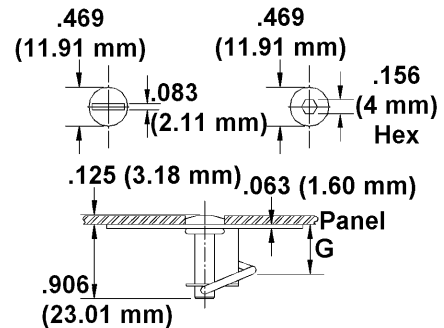


Knurled Head (K)



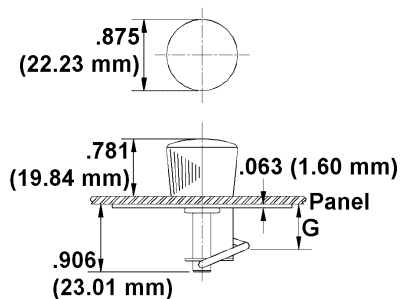
Part Number	Head Finish
6175-KY	Zinc plate with yellow chromate

Pan Head



Part Number	Head	Head Finish (all with chromate surface)
6175-AY	Slot	Zinc plate with yellow chromate
6175-AB	Slot	Zinc plate with Black Chromate
6175-HY	Hex	Zinc plate with yellow chromate

Plastic Knob Head (P)

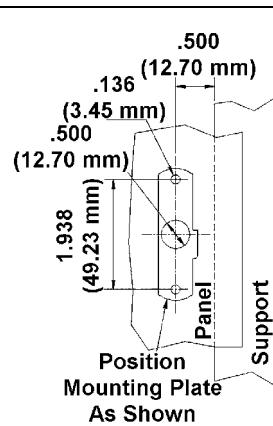


Max. panel with knob: .250" (6.35 mm)

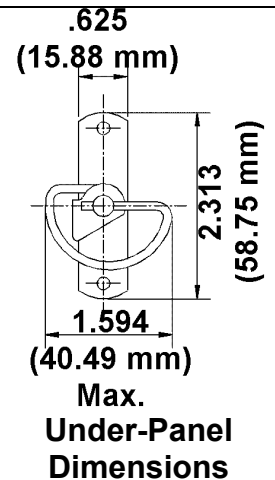
Knob is supplied unattached and is pressed onto head after installing latch.

Part Number	Head Finish
6175-P	Black Thermoplastic

Installation Procedure
Max. Load Without Distortion: 23 lb.



Panel Preparation



DP-6100 Line

6137



The 6137 Pawl Latch provides basic quarter-turn latching at a low installed cost. Studs, in black acetal plastic, are available with attractive wing, knob, or slotted heads. One-step installation consists of pushing the spring steel pawl onto the stud and up against the underside of the panel. One-way tabs on the pawl maintain its position and provide secure stud retention. The latch closes under spring tension. No spacers are needed.

Material:

Stud: Black acetal copolymer.

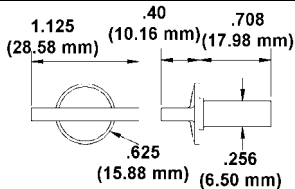
Material burning rating code UL94HP. ASTM E0162.

Flame Spread Index: 130

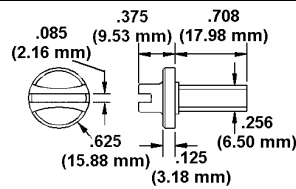
Operating temperature range: -40°F (-40°C) to +194°F (+90°C)
(+248°F (120°C) for short periods)

Pawl: Stainless steel spring temper.

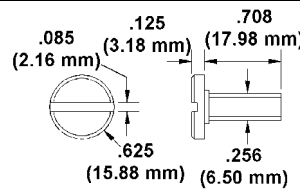
Stud, Wing Head
6137-1W



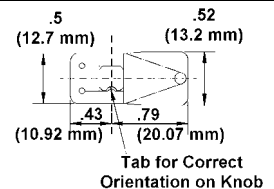
Stud, Slotted Knob
6137-1M



Stud, Slotted
6137-1S



Pawl
6137-2S
6137-2L



Fastener Selection and Installation

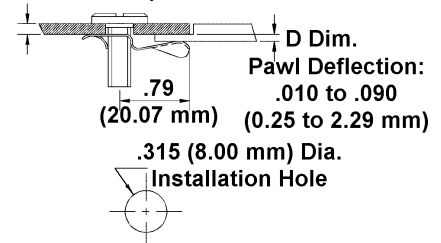
1. Choose head style with part number
2. Select the correct pawl based upon your D Dimension

Recommended Pawl Deflection Latch Locked

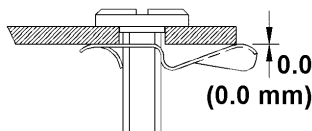
.010" (0.25 mm) Locked Tension 2 lb. to
.135" (3.43 mm) Locked Tension 8 lb.

6137-2S and 6137-2L

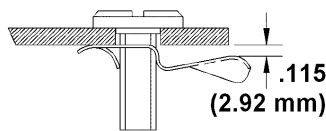
Panel Thickness:
.04 to .41
(1.02 to 10.41 mm)



6137-2S



6137-2L



D Dim.		Use Pawl Part Number
.010" to .125"	.25 to 3.18 mm	6137-2S
.125" to .205"	3.18 to 5.21 mm	6137-2L